

KFP200 R290

START N° 186740

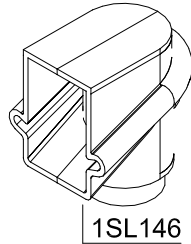
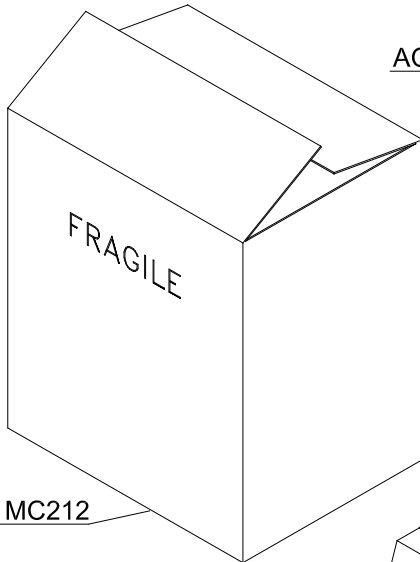
2VP113

2VP122

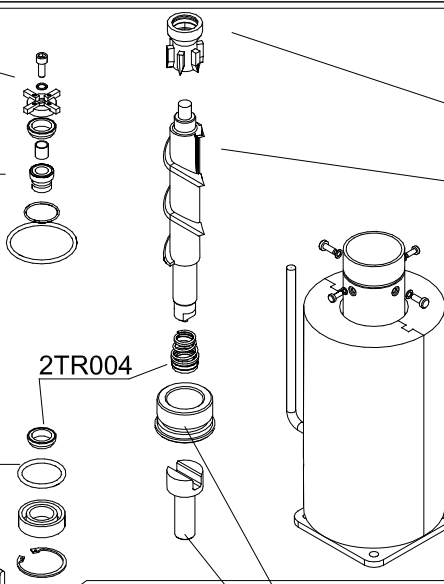
ACC. KFP85

2VP110

1VP066



1SL146



2TR004

2VP112
1VP060

2VP128

1MC212

1LT065

1MM590

1LT066

1MM540

1LT019

1MM544

1MM547

1LT067

1LT220

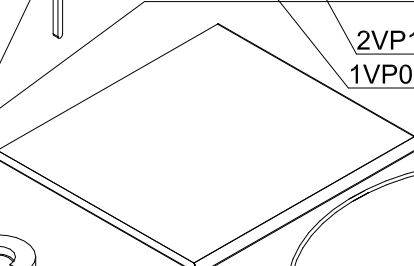
1MM538

1MM536

1MC211

2CL076

1MM543



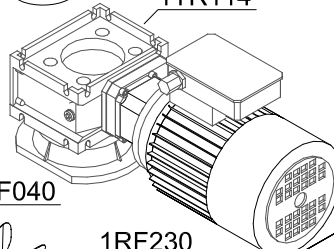
1CC001

1DR025

1DR074

1DR005

1TR114



1MM539

1DR031

1LT223

2LT137

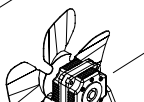
1DR005

1MM537

1DR005

1MB237

1RF040



1RF230

1RF217

1LT022

1LT029

1DR030

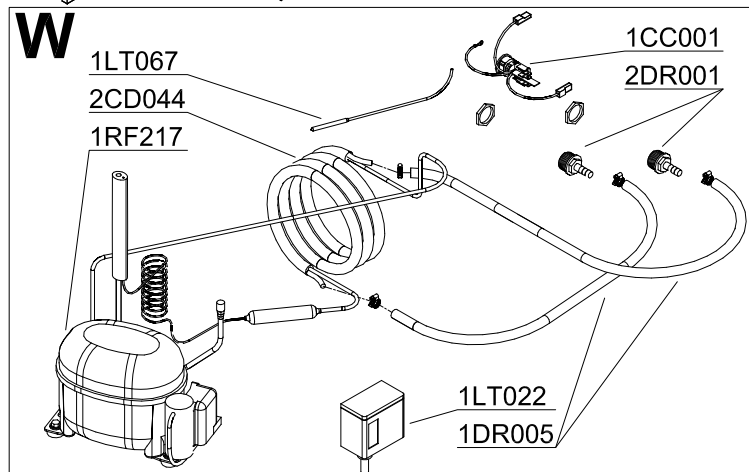
1DR005

2DR043

1DR056

1CD154

2MM478



W

1LT067

2CD044

1RF217

1CC001

2DR001

1LT022

1DR005